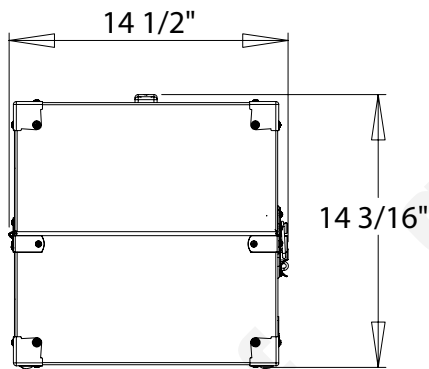
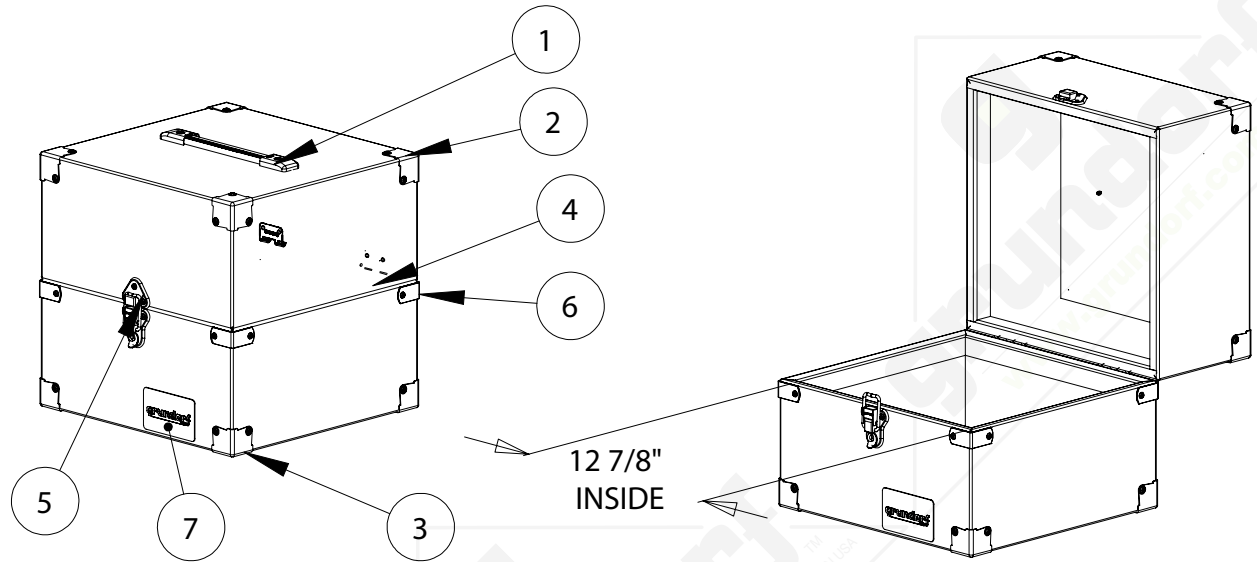
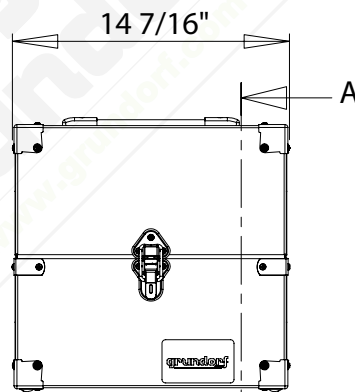


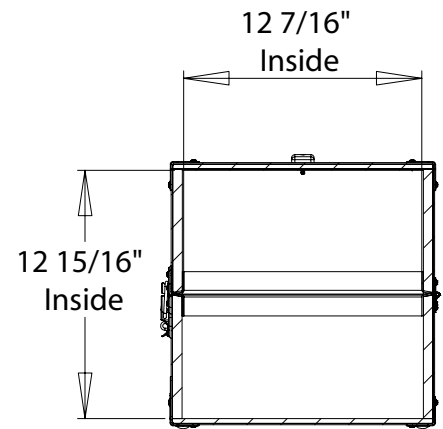
| # | QTY. | PART NUMBER | DESCRIPTION                    |
|---|------|-------------|--------------------------------|
| 1 | 1    | 31-016      | HANDLE - STRAP W/LOGO/BLACK EN |
| 2 | 4    | 32-012      | CORNER-SMALL SQUARE/ZINC       |
| 3 | 4    | 32-013      | CORNER-SM SQUARE W/BUMP/ZINC   |
| 4 | 2    | 33-013      | HINGE-TAKE APART/SMALL/ZINC    |
| 5 | 1    | 34-003      | LATCH - LARGE/SURFACE/NICKEL   |
| 6 | 4    | 35-006      | CLAMP - SMALL 2 HOLE/ZINC      |
| 7 | 1    | 83-008      | BADGE - GRUNDORF ORIGINAL      |



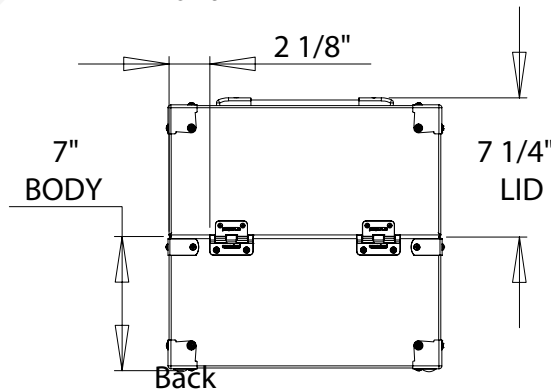
Left Side



Front



SECTION A-A



Back